

Hinowa[®]
Presents



Tracked forklift with elevation system of the load TP1800 HI-TIP

NEW!

**SNOW,
GRASS,
MUD,
ON SLOPES AND
DOWNHILL**



**YOU CAN CARRY CASES
AND PALLETS
UP TO 1,8 TONS !**

PATENTED !

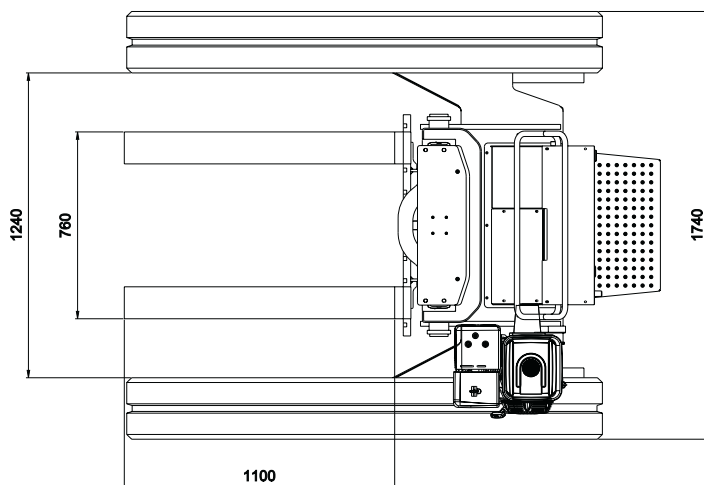
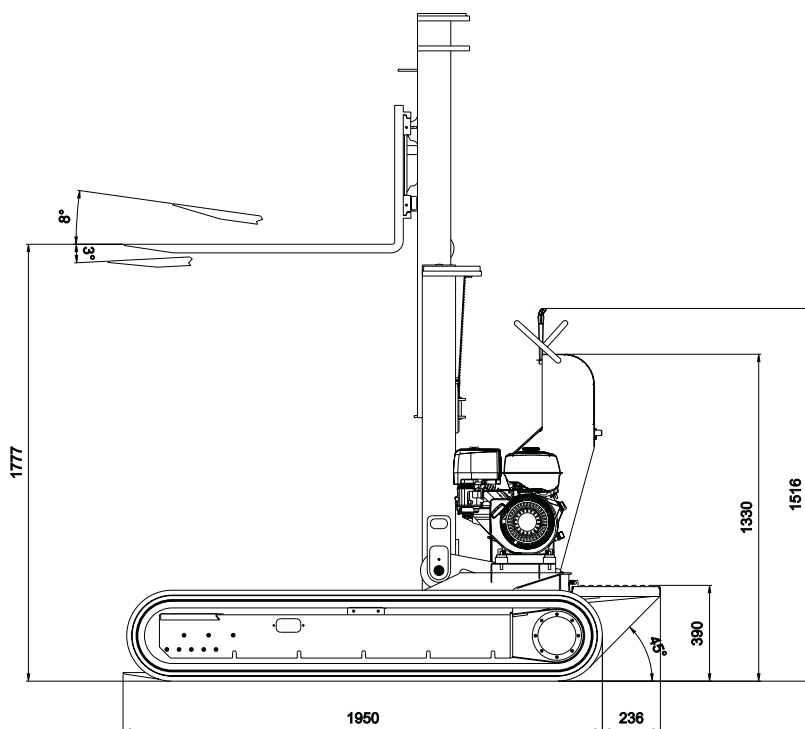
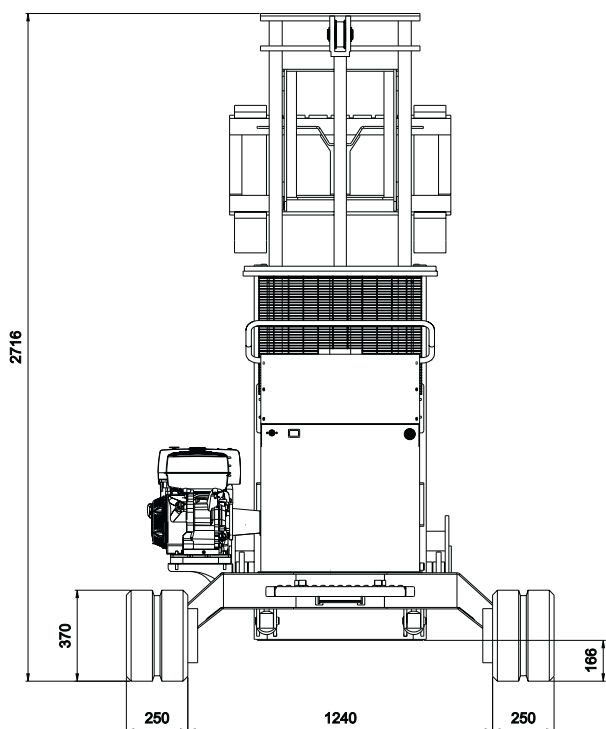
Via Fontana - 37054 NOGARA - VERONA (ITALY) Tel. +39 0442 539100 Fax +39 0442 539075
hinowa@hinowa.it - www.hinowa.com



Tracked forklift with elevation system of the load TP1800 HI-TIP

TECHNICAL DATA

HONDA ENGINEGX390
PISTONS AND DISPLACEMENT1/389 cc
MAX GROSS POWER @ REV/MIN.....13 HP/3600 rev/min
MAX GROSS POWER3500 rev/min
TRANSLATION SPEED1.5/2.2 km/h
OPERATING WEIGHT (WITHOUT OPERATOR)1200 kg
MAX CAPACITY1800 kg



NEW!